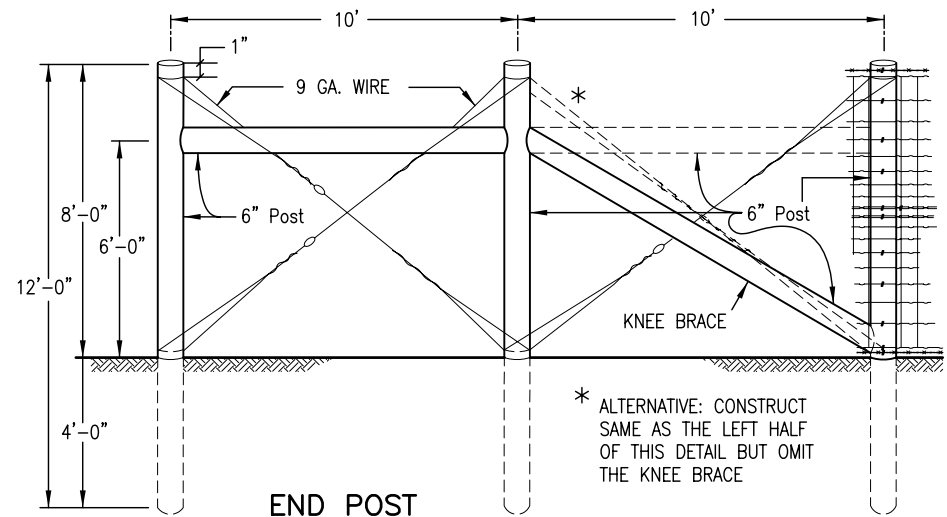
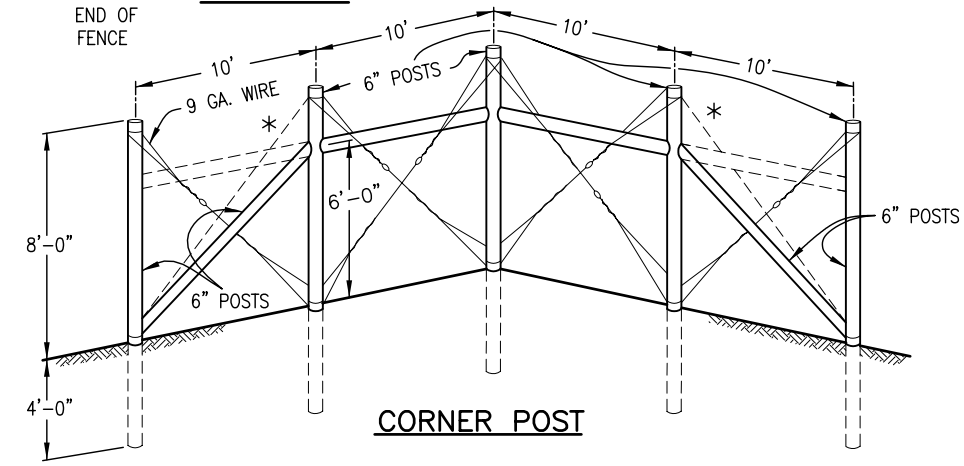


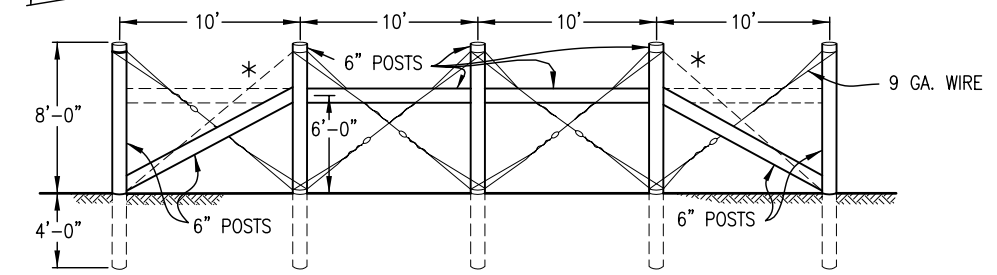
LINE POST



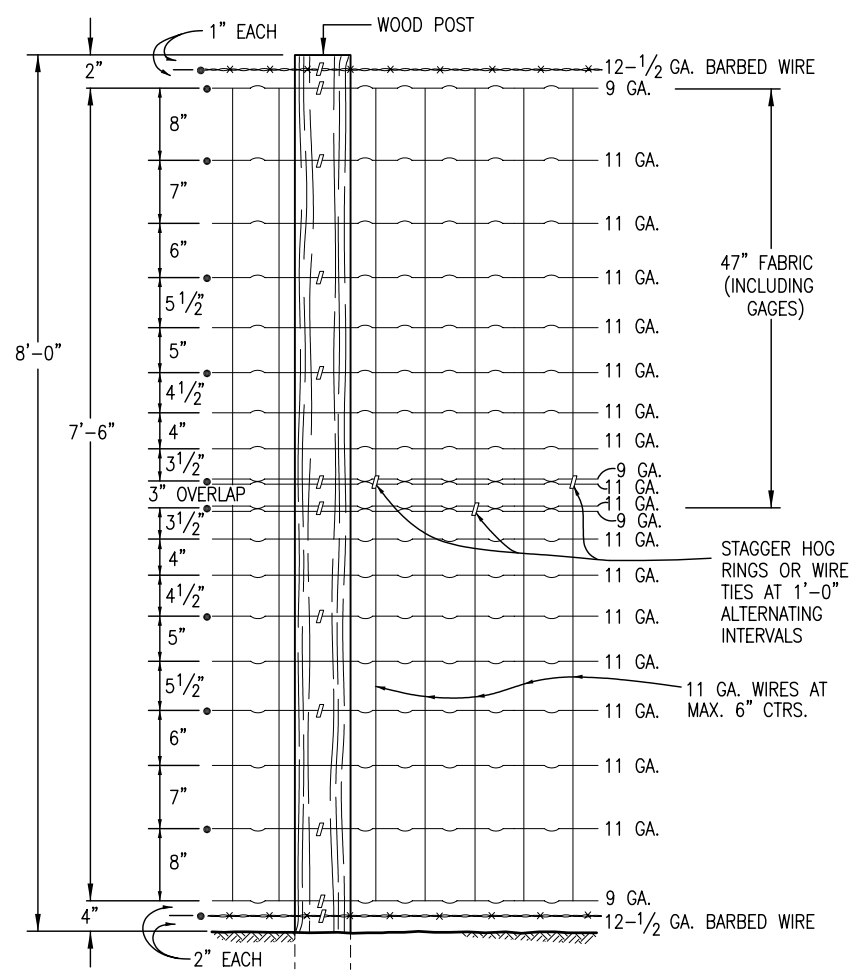
END POST



CORNER POST

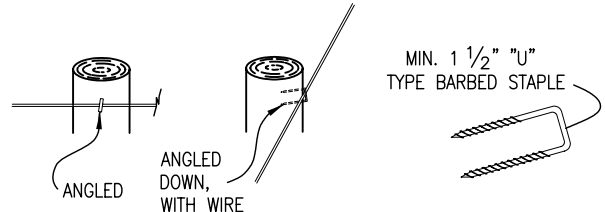


LINE BRACE POST

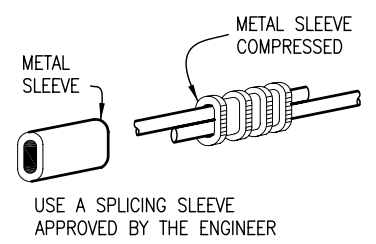


* FENCE WIRE SHALL BE STAPLED TO WOOD POSTS AND STAYS

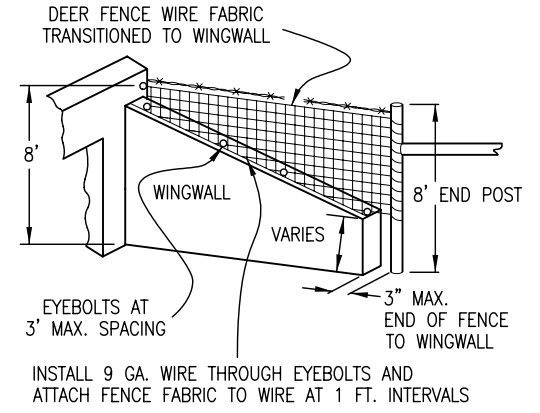
DEER FENCE WIRE FABRIC



TYPICAL STAPLING



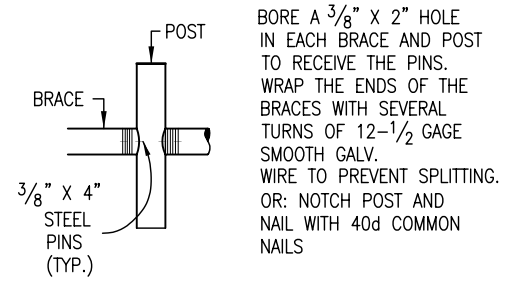
WIRE SPLICE



DEER FENCE TO WINGWALL

GENERAL NOTES


1. AT EACH LOCATION WHERE AN ELECTRIC TRANSMISSION, DISTRIBUTION OR SECONDARY LINE CROSSES A BARRIER FENCE, THE CONTRACTOR SHALL FURNISH AND INSTALL A GROUND CONFORMING TO ARTICLE 250 OF THE NATIONAL ELECTRICAL CODE. THE GROUND ROD SHALL BE A MINIMUM DIAMETER OF 1/2 IN. AND 8 FT. IN LENGTH, AND DRIVEN AT LEAST 7 1/2 FT. INTO THE GROUND. THE ROD SHALL BE CONNECTED TO EACH WIRE WITH A MINIMUM AWG NO. 8 STRANDED COPPER WIRE. GROUNDING WILL NOT BE PAID FOR SEPARATELY BUT SHALL BE INCLUDED IN THE WORK.
2. END POST, CORNER POST, AND LINE BRACE POST SHALL BE ASSEMBLED BY THE UNIT AND PAID FOR AS SUCH. ALL WORK AND MATERIAL ASSOCIATED WITH EACH ASSEMBLY, SHALL BE INCLUDED IN THE UNIT PRICE FOR THAT ASSEMBLY.
3. LINE BRACE POSTS SHALL BE SPACED AT 400 FT. INTERVALS, WHERE FENCING IS CONTINUOUS AND WHERE END, CORNER & LINE BRACE POSTS ARE NOT SPECIFIED.
4. ALL LINE POSTS SHALL BE 5 IN. MIN. DIAMETER AND 12 FT. LONG. ALL END, CORNER AND LINE BRACE POSTS SHALL BE 6 IN. MIN. DIAMETER AND 12 FT. LONG. ALL POSTS AND BRACES SHALL BE TREATED IN ACCORDANCE WITH SUBSECTION 710.07.
5. WOODEN STAYS SHALL BE UNTREATED NATIVE TIMBER. BOTTOM ENDS OF STAYS SHALL REST ON THE NATURAL GROUND AND SHALL BE WIRED AND STAPLED AS SHOWN.
6. BARBED WIRE SHALL BE DOUBLE WRAPPED AND TIED OFF AT END POSTS, CORNER POSTS AND LINE BRACE POSTS. WOVEN WIRE SHALL BE SINGLE WRAPPED AND TIED OFF. FENCE TO BE CONTINUED, SHALL BE RESTARTED IN LIKE MANNER.
7. FENCE WIRE MAY BE PLACED ON EITHER THE ROAD SIDE OR THE FIELD SIDE OF POSTS, DEPENDING ON LOCAL CONDITIONS; i.e., ON CURVES, THE WIRE SHOULD BE PLACED ON THE SIDE WHICH WOULD RESULT IN THE LEAST AMOUNT OF TENSION ON THE STAPLES. THIS ALSO APPLIES WHERE WIND DRIFT OR OTHER CONDITIONS WOULD EXERT UNUSUAL PRESSURE AGAINST THE WIRE.
8. WHERE CONCRETE STRUCTURES ARE USED AS A DEER PASS, THE FENCE SHALL END AT EYEBOLTS IN WINGS OF THE STRUCTURE. EYEBOLTS IN FRESH CONCRETE SHALL BE MADE OF 1/2 IN. ROUND BARS AND EMBEDDED A MINIMUM OF 6 IN. WITH A HOOKED OR BENT END. IN EXISTING CONCRETE, THE 1/2 IN. ROUND BARS SHALL BE DEFORMED AND GROUTED INTO DRILLED HOLES. EYEBOLTS SHALL HAVE A MINIMUM OF 1 IN. INSIDE EYE DIAMETER AND SHALL BE FURNISHED AND INSTALLED BY THE CONTRACTOR. COST OF EYEBOLTS SHALL BE INCLUDED IN THE CONTRACT PRICE FOR FENCING.
9. WOVEN WIRE FENCE FABRIC SHALL CONFORM TO AASHTO M 279 (ASTM A 116) DESIGN NO. 1047-6-11 WITH CLASS 1 COATING.
10. STEEL BARBED WIRE SHALL CONFORM TO AASHTO M 280 (ASTM A 121) 12-1/2 GAGE WITH CLASS 1 COATING.
11. ALL FENCE WIRE TIES, BRACE WIRES, STAPLES AND OTHER WIRE APPURTENANCES SHALL BE GALVANIZED IN CONFORMANCE WITH AASHTO M 232.
12. DEER GATE AND TOP BRACES SHALL BE PAINTED WITH GREEN PAINT ACCORDING TO SUBSECTION 708.03 AND COLOR NO. 14109 OF FEDERAL STANDARD 595B.
13. THE CONTRACTOR SHALL BE RESPONSIBLE FOR RE-ESTABLISHING DISTURBED OR DESTROYED SURVEY MONUMENTS TO THE APPROPRIATE ACCURACY IN ACCORDANCE WITH SUBSECTION 625.08 OF THE STANDARD SPECIFICATIONS.



CROSS BRACE DOWELING

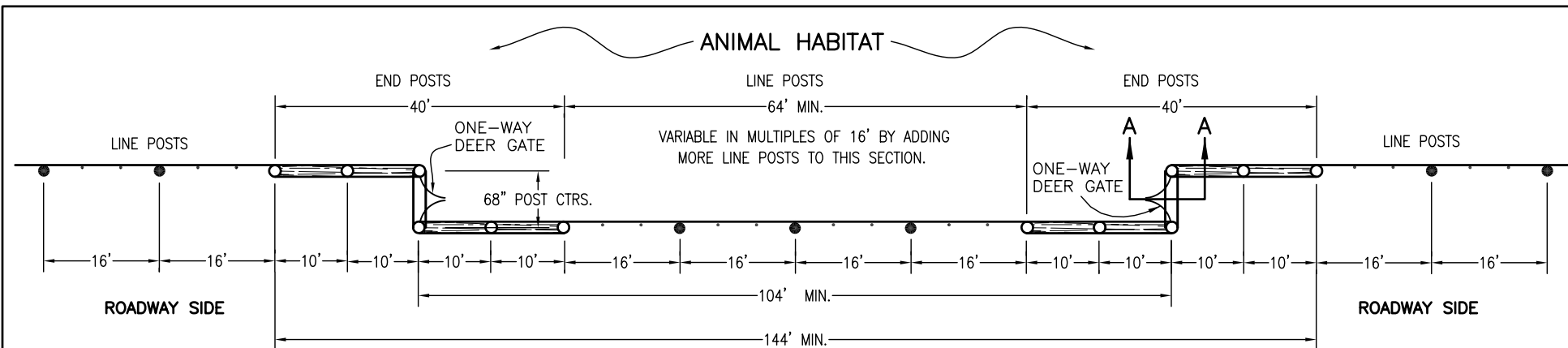
Computer File Information	
Creation Date: 07/04/06	Initials: SJR
Last Modification Date: 07/04/06	Initials: LTA
Full Path: www.dot.state.co.us/DesignSupport/	
Drawing File Name: 607040102.dwg	
CAD Ver.: MicroStation V8 Scale: Not to Scale Units: English	

Sheet Revisions	
Date:	Comments
(R-X)	
(R-X)	
(R-X)	
(R-X)	

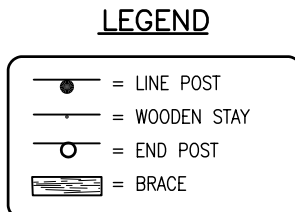
Colorado Department of Transportation

 4201 East Arkansas Avenue
 Denver, Colorado 80222
 Phone: (303) 757-9083
 Fax: (303) 757-9820
 Project Development Branch SRJ/LTA

DEER FENCE AND GATES
 Issued By: Project Development Branch on July 04, 2006

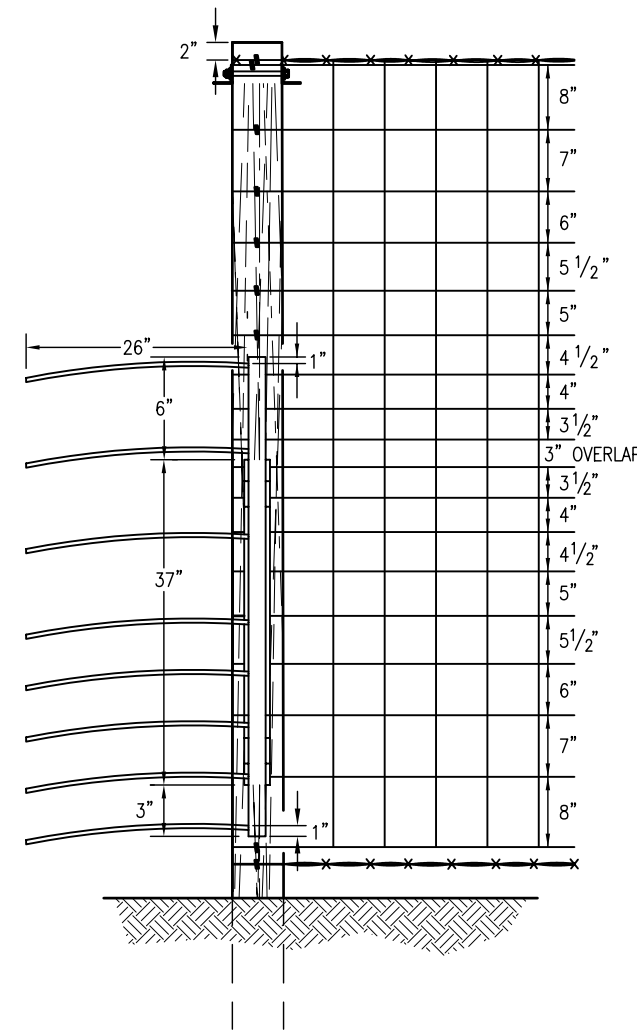
STANDARD PLAN NO.
 M-607-4
 Sheet No. 1 of 2



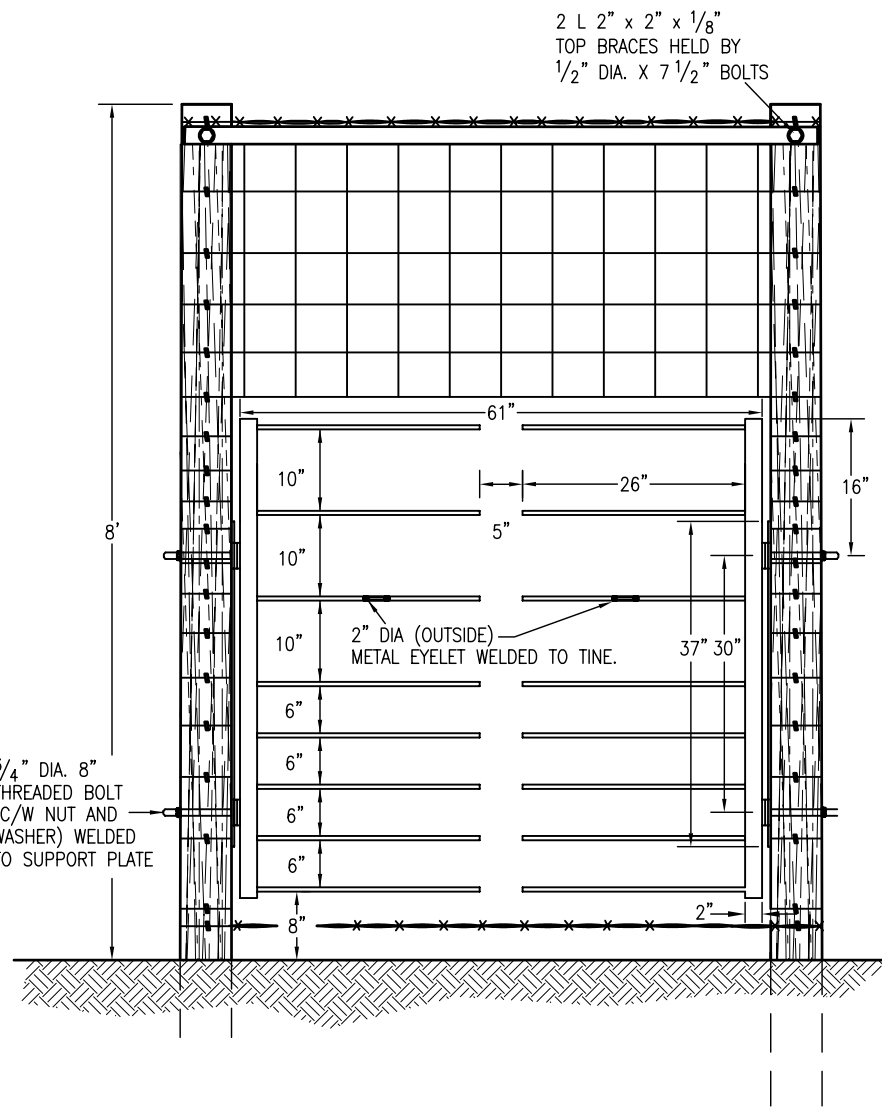
PLAN VIEW - TYPICAL DEER GATE INSTALLATION



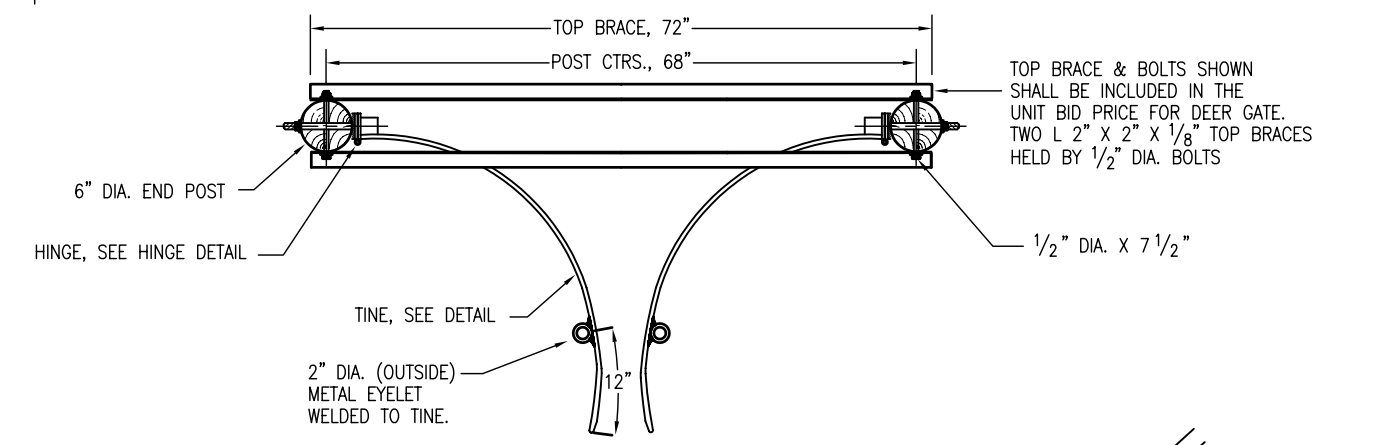
- NOTES**
- SIX IN. DOUBLE ACTING SPRING DOOR HINGE WITH FLAT BUTTON TIPS CUT IN TWO SHALL BE USED AS A SINGLE SWING HINGE AND BE PROVIDED WITH A GREASING NIPPLE AND WELDED TO SUPPORT PLATE.
 - TINES SHALL BE MOLDED IN ONE PIECE OF STEEL (AASHTO M 169, GRADE 1050), WITH NO WELDS ALLOWED.
 - GAP CLOSURE: EXCEPT FOR DEER GATES, CONSTRUCT FENCE WITHOUT OPENINGS OR GAPS, ESPECIALLY AT STRUCTURES, CLIFFS, AND IRREGULAR GROUND. WHEN A 6 IN. OR LARGER GAP EXISTS BELOW THE NORMAL BOTTOM FENCE WIRE, CLOSE THE GAP ACCORDING TO THE CLOSURE DETAIL. ALL EXTRA MATERIAL USED FOR GAP CLOSURES OF ANY TYPE OR LOCATION SHALL BE INCLUDED IN THE UNIT BID PRICE FOR THE FENCE.



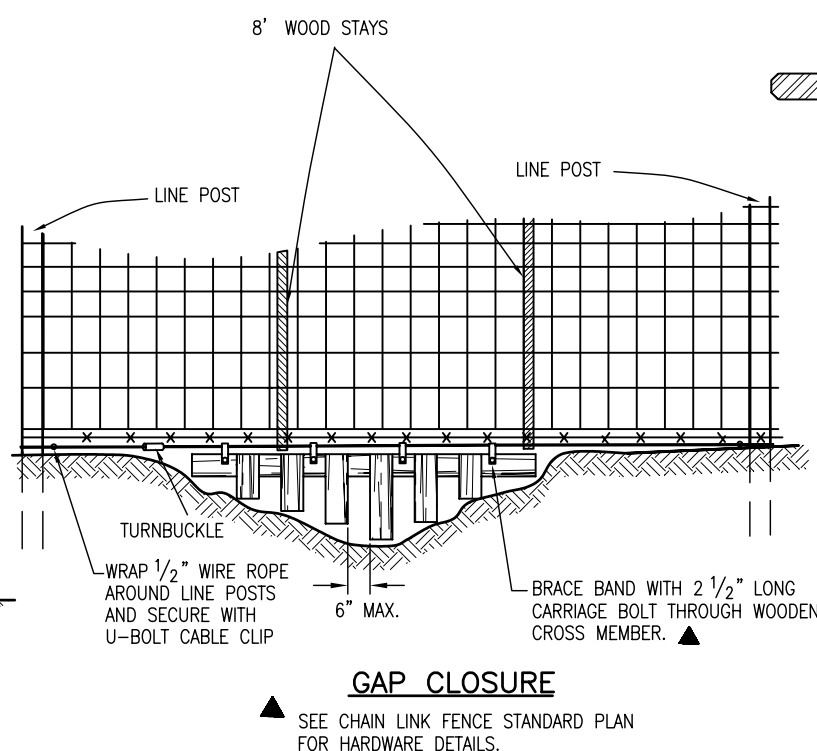
SECTION A-A



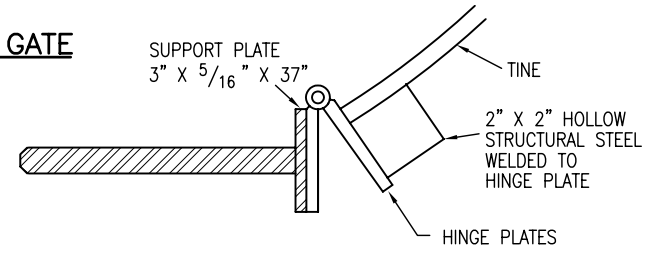
FRONT VIEW - DEER GATE



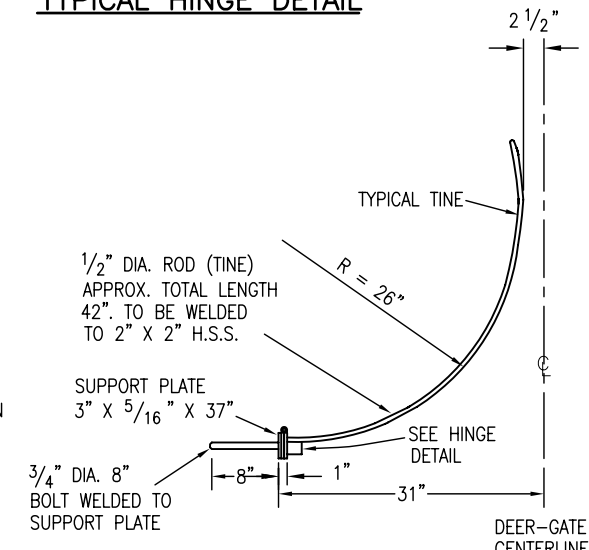
TOP VIEW - DEER GATE



GAP CLOSURE




TYPICAL HINGE DETAIL



TYPICAL TINE DETAIL

Computer File Information	
Creation Date: 07/04/06	Initials: SJR
Last Modification Date: 07/04/06	Initials: LTA
Full Path: www.dot.state.co.us/DesignSupport/	
Drawing File Name: 607040202.dwg	
CAD Ver.: MicroStation V8 Scale: Not to Scale Units: English	

Sheet Revisions	
Date:	Comments
(R-X)	
(R-X)	
(R-X)	
(R-X)	

Colorado Department of Transportation

 4201 East Arkansas Avenue
 Denver, Colorado 80222
 Phone: (303) 757-9083
 Fax: (303) 757-9820
 Project Development Branch SRJ/LTA

DEER FENCE AND GATES
 Issued By: Project Development Branch on July 04, 2006

STANDARD PLAN NO.
 M-607-4
 Sheet No. 2 of 2